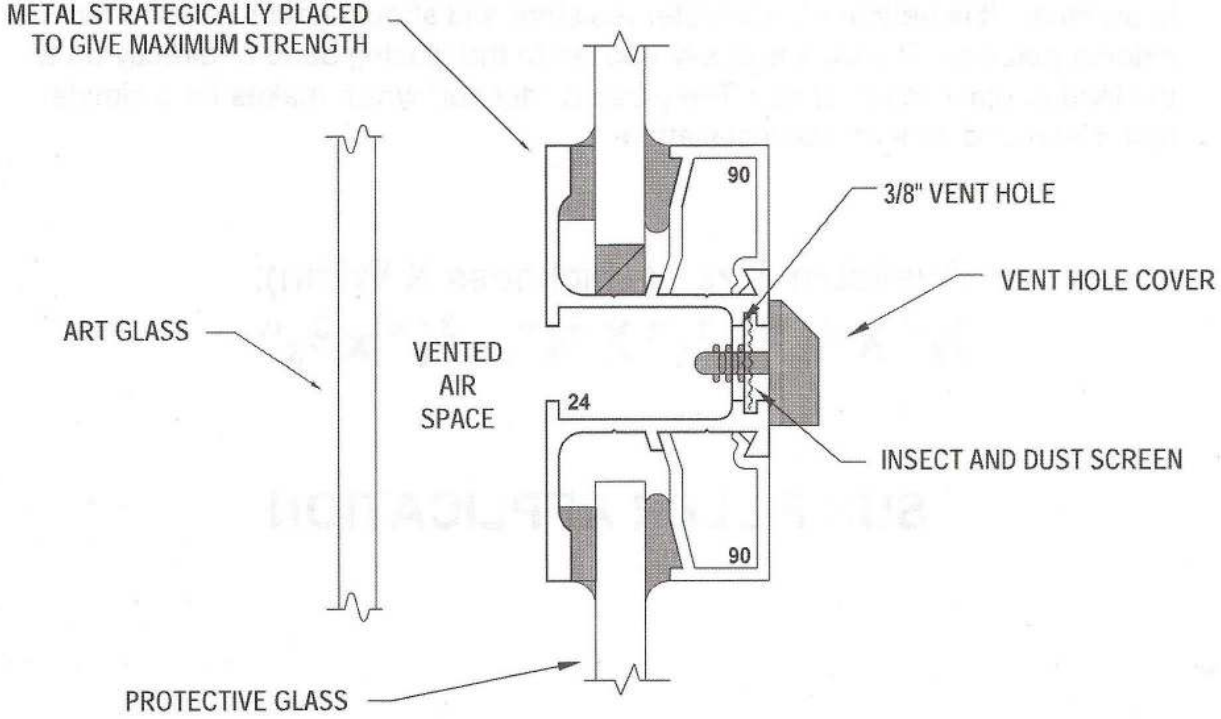
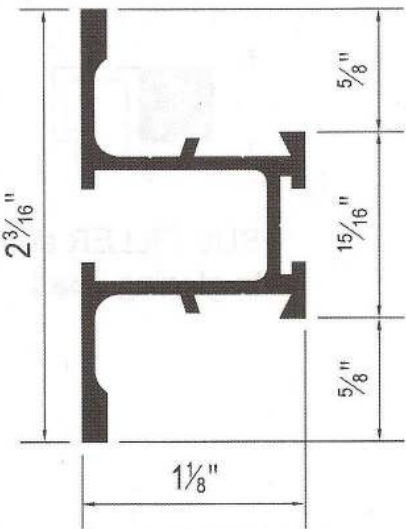


Die# 24 is the practical solution to ventilating the air space between the stained glass and protective glass when putting up protective glazing. It answers the concerns of venting while also addressing the inherent problems associated with it. Holes can be drilled into the "Tee" and a dust and insect screen can be inserted in a groove over the holes. A snap-on nylon vent hole cover is available to hide the holes and help prevent water infiltration. Die# 24 can be used with the 10 and 20 Series.

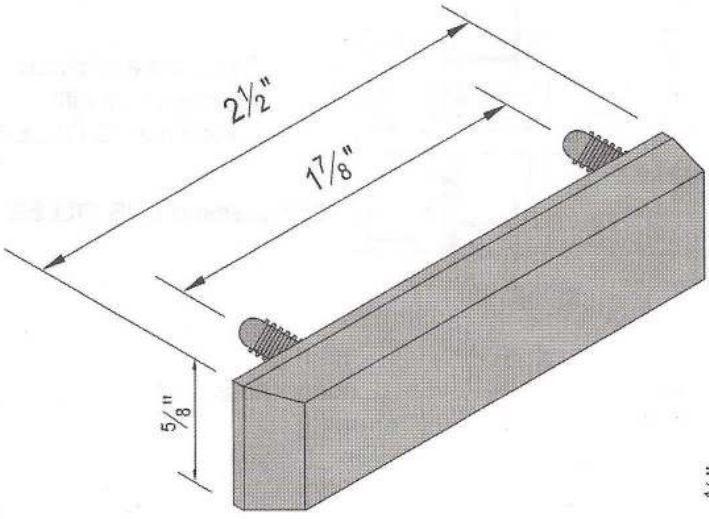


SCALE = FULL SIZE



DIE# 24

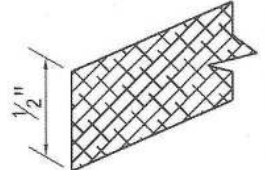
Stocked 10 pcs/bundle 15' long



Snap-On Nylon Vent Hole Cover

Available in white, bronze, aluminum and black colors

Stocked in bags of 100



Slide In Screen Mesh